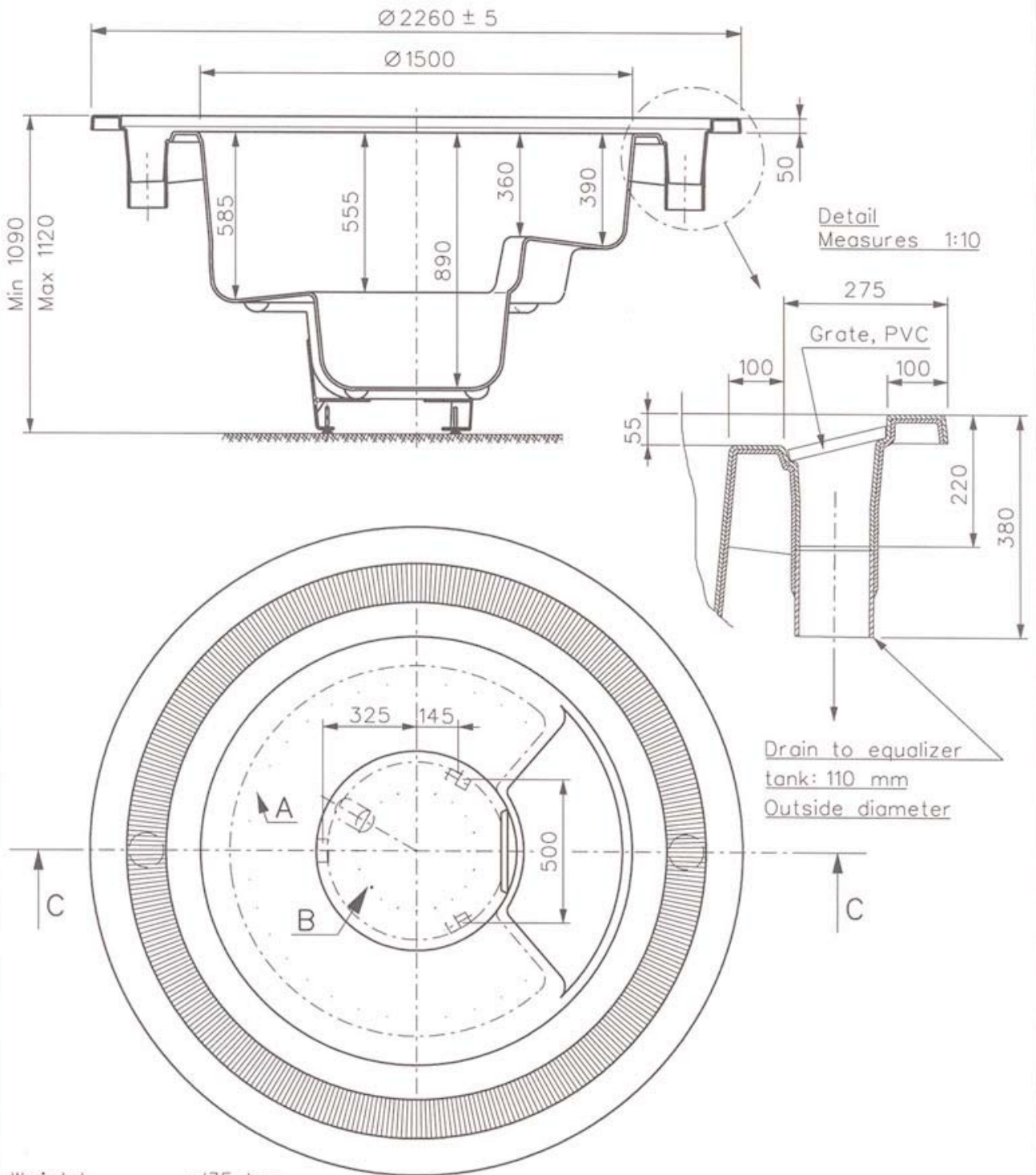


C-C



Detail Measures 1:10

Drain to equalizer tank: 110 mm Outside diameter

Weight : 135 kg
 Volume : 1090 Litre
 Persons : 3 - 4
 Air jets (A) : 38 pcs. each 4,2 mm
 Air jets (B) : 20 pcs. each 5,2 mm

Placing of supporting legs see reverse side

Measurement in mm

Scandiaqualine

Erhvervsvej 3, DK-6800 Varde, Denmark Tlf. (+45) 75 22 33 33
 Sales department: Tlf. (+45) 75 22 51 55 Fax: (+45) 75 21 18 21

SUBJECT:
 Scandispa 2250 OR, with new model overflow gutter

DRAWING NO:
 204 502 34 01

CORRECTIONS:	MADE BY:	VERIFIED BY:	DATE:	MADE BY:	VERIFIED BY:
			1/8-01	AK	<i>SHI</i>
			MEASURES:	The right to technical alterations is reserved	
			1:20	Copyright by Scandiaqualine a/s	