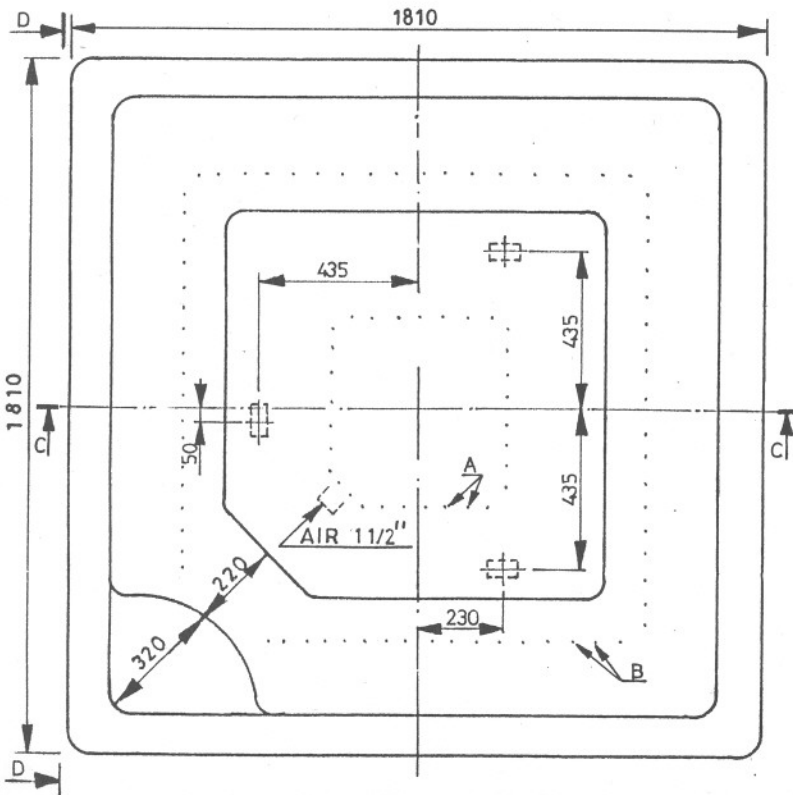
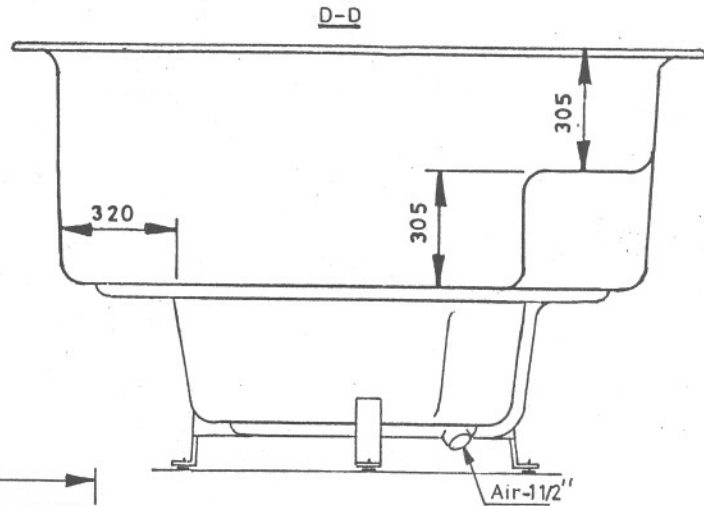


PARTY

Weight: 100 kg
 Volume: 1325 l
 Persons: 4 - 6
 Air jets (A): 27 pcs. á 5,0 mm
 Air jets (B): 60 pcs. á 2,5 mm

No. 204 700 34 - no air channel.
 No. 204 701 34 - with air channel.



Placing of supporting legs
 see reverse side.

Scandiaqualine

Erhvervsvej 3 . DK-6800 Varde . Tlf. (05) 22 33 33

Scandispa 1800 S
 square

DATE:
 9 . 10 . 86

MEASURES:
 1:20

DRAWING NO:
 204 701 34

SIGN.:
 A.M.P.

The right to technical
 alterations is reserved.
 Copyright by Scandiaqualine a.s Denmark

CORRECTIONS:

95,10,23. AIR 2" → 1 1/2" A, K, M, N, T.